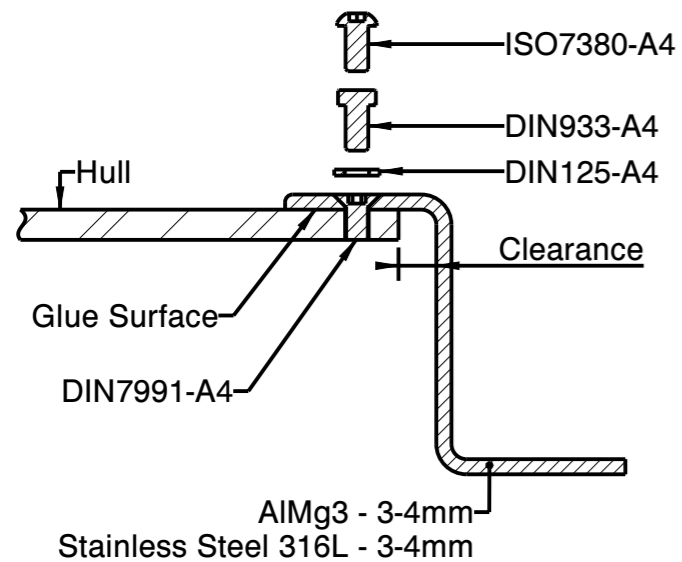
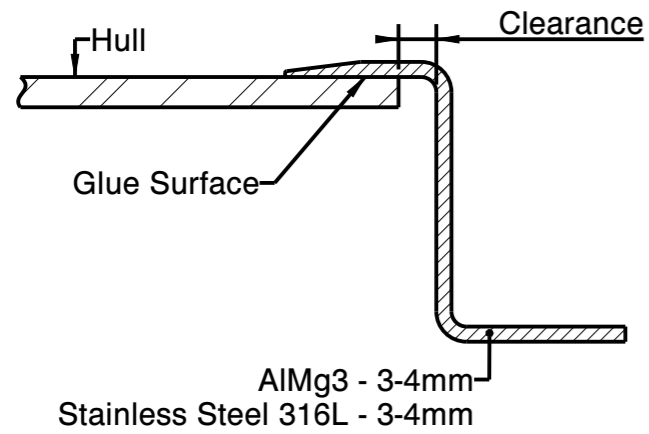
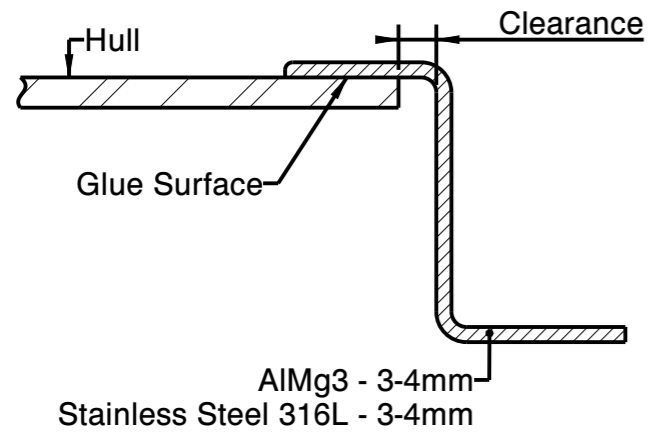
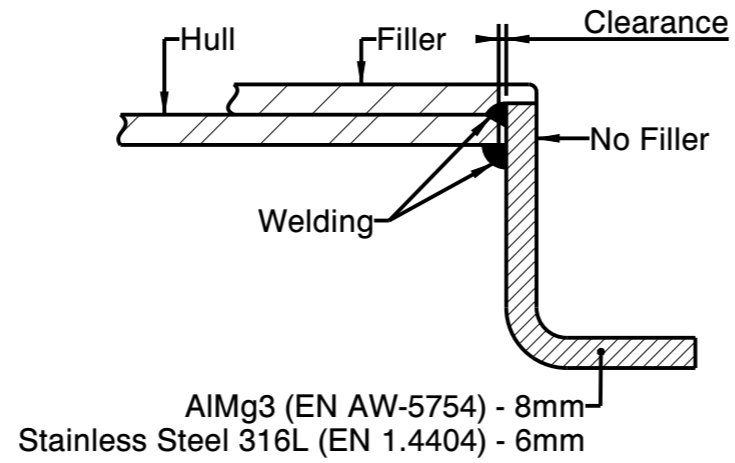


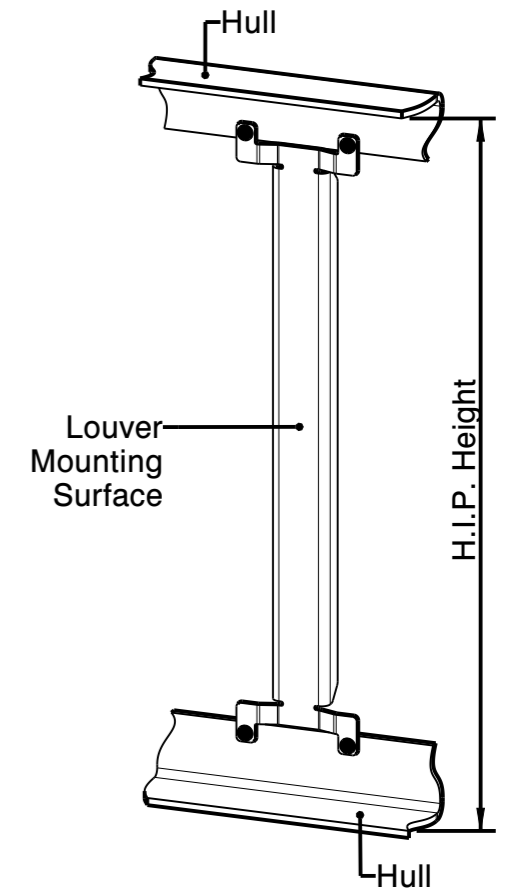
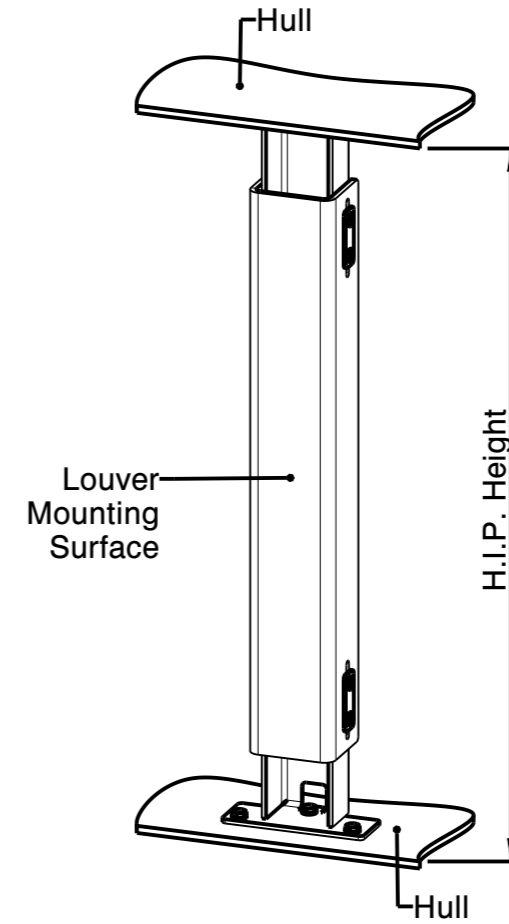
Glue In Frame type




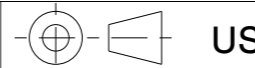
Weld In Frame type



Mounting Profile type



© All rights reserved by FlowGrill B.V. No part of this product datasheet may be reproduced in any form, by print, photo print, microfilm or any other means without written permission from FlowGrill B.V. FlowGrill B.V. accepts no legal responsibility with relation to the content and/or form of this production datasheet.

Description:		Material	
Frame Types		Article	
 www.FlowGrill.com	 US	OrderNo.	Status
	Size A3	Date 19-02-2020	Approval RK
	Units mm	DrawingNo. FG10006	Sheet 1
Scale		Version A.1	
Production quality following FlowGrill internal documents		Copyrights FlowGrill bv, all rights reserved	