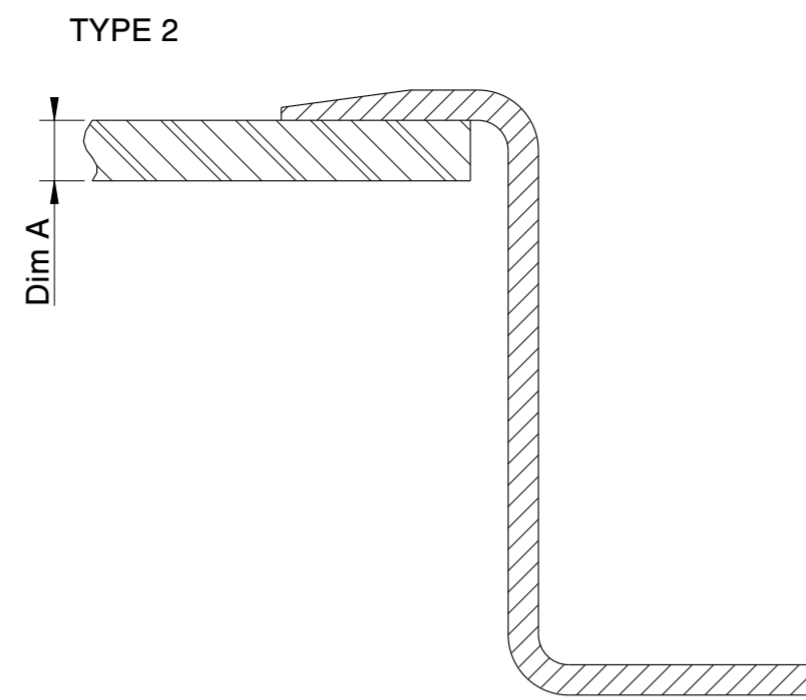
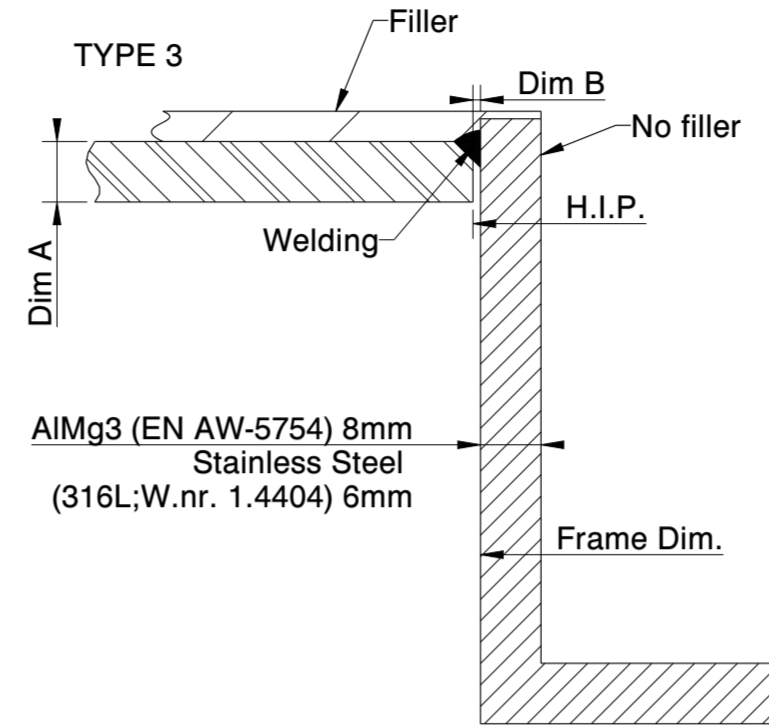


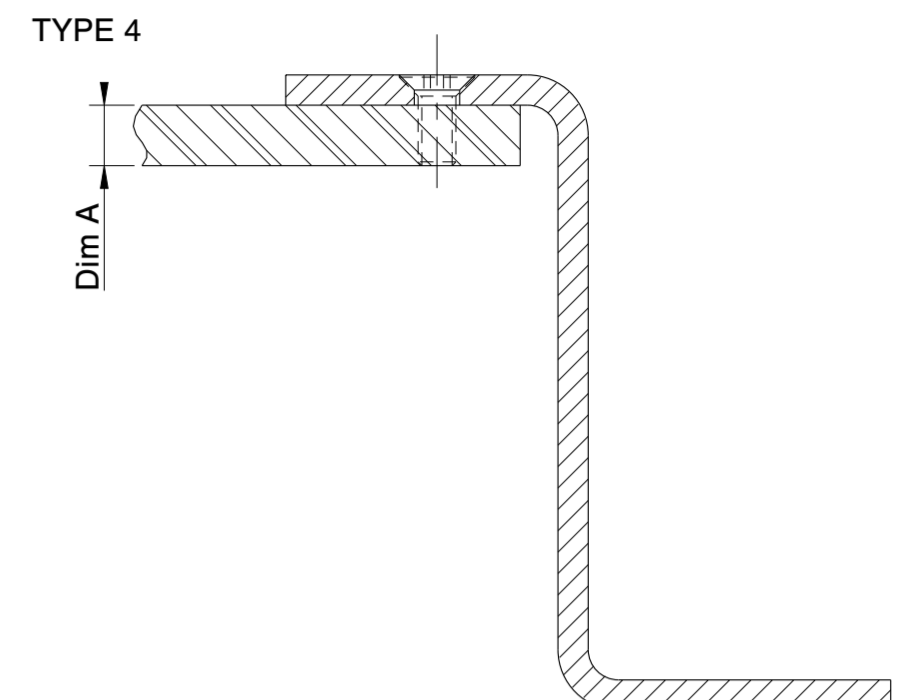
SECTION A-A
SCALE 1:1
Glued frame
Dim A: mm
Frame Material:



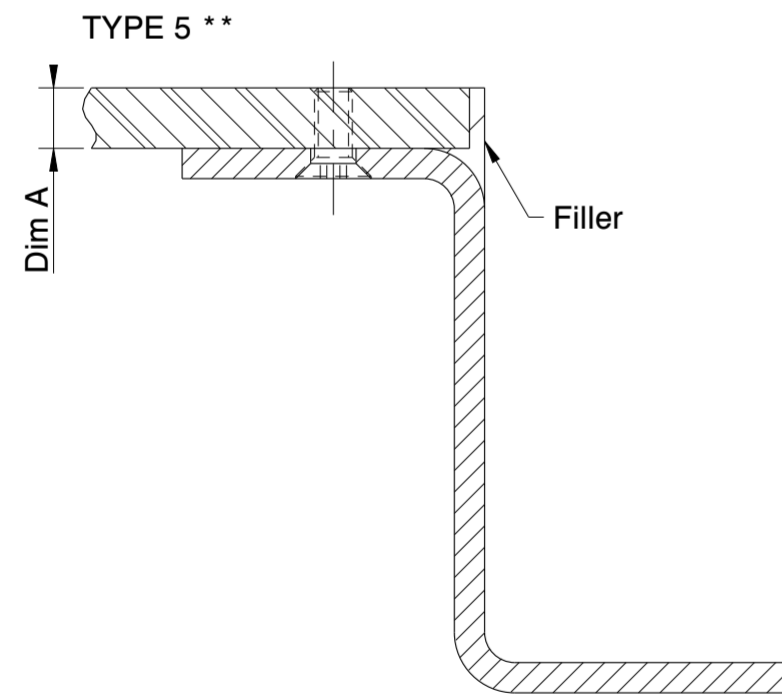
SECTION A-A
SCALE 1:1
Glued frame with sloping edge
Dim A: mm
Frame Material:



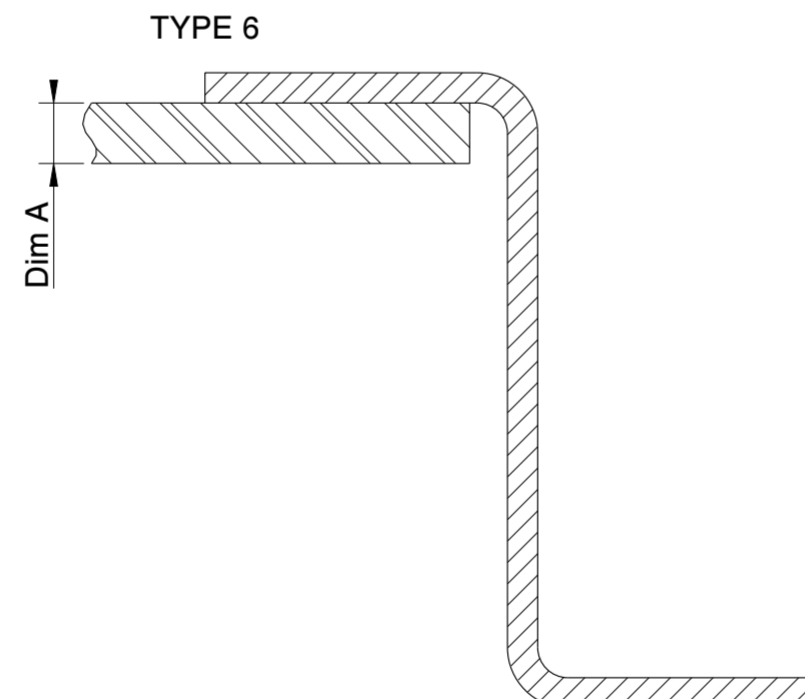
SECTION A-A
SCALE 1:1
Welded frame
AIMg3 (EN AW-5754) 8mm
Stainless Steel
(316L;W.nr. 1.4404) 6mm
Dim A: mm
Dim B: mm
Frame Material:



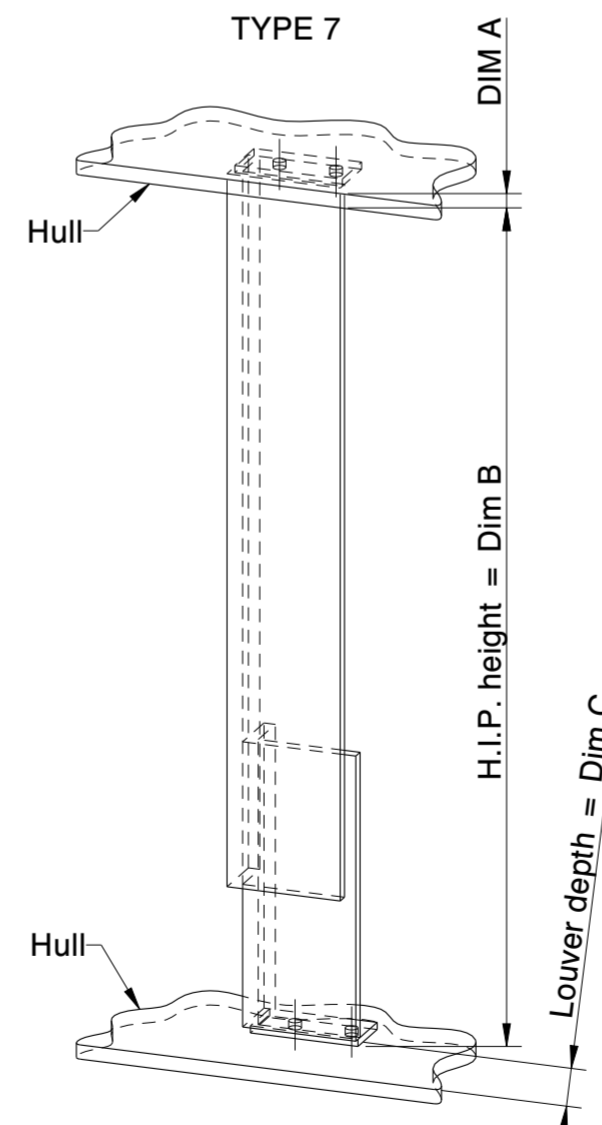
SECTION A-A
SCALE 1:1
Bolted frame
Dim A: mm
Frame Material:



SECTION A-A
SCALE 1:1
Bolted frame
Dim A: mm
Frame Material:



SECTION A-A
SCALE 1:1
Glued frame
Dim A: mm
Frame Material:



SCALE 1:5
Louver mounting support
L-profile 80x40x8 mm
Dim A:.....mm
Dim B:.....mm
Dim C:.....mm

NOTE

- ** Mounting by TYPE 1, 5 is only possible when:
1) the frame fits through the H.I.P. at the outside and/or;
2) there is enough space on the back of H.I.P. to mount from the inside.

© All rights reserved by FlowGrill B.V.. No part of this product datasheet may be reproduced in any form, by print, photo print, microfilm, or any other means, without written permission from FlowGrill B.V. FlowGrill B.V. accepts no legal responsibility with relation to the content and/or form of this product datasheet.

All data have been prepared with a great deal of care and checked for their accuracy. However, no liability can be assumed for any incorrect or incomplete data. We reserve the right to make technical changes.

© FlowGrill - 2009, September

Rev.	1	14-10-2009 11:50:21	-
Ver.	Changed	Description	
Customer	FlowGrill B.V.		
Project	STAND. -		
Description	Types of mounting Sub-frames		
Surface treatment	-	-	-
Size	A2	Units	mm
Scale	1:1	Am. proj.	
Drawn	IH5	09-09-09	Status
Material		Weight [kg]	0,000
Article			
Drawing number	YB00800	Sheet	1
Rev.		Rev.	..1

FlowGrill
DUTCH TECHNICAL SOLUTIONS
P.O. Box 360
NL 6900 AJ ZEVENAAR
Tel + 31 316 59 29 34
Fax + 31 316 59 29 90
www.flowgrill.eu
Copyright FlowGrill bv All rights reserved