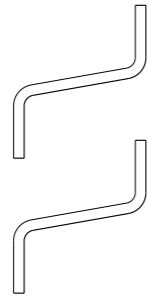
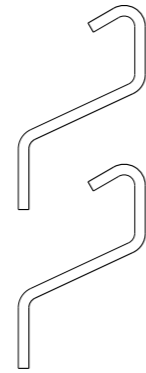


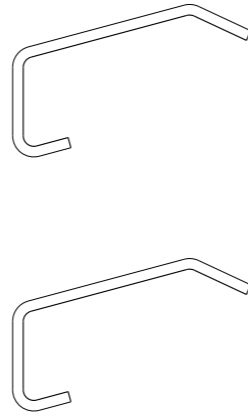
SR5701



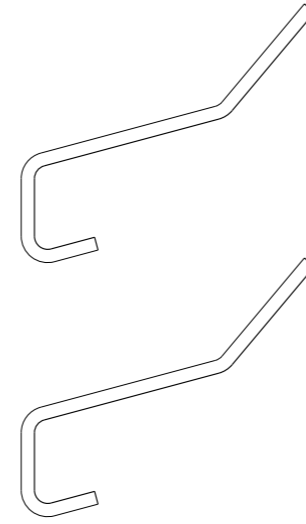
SR4701



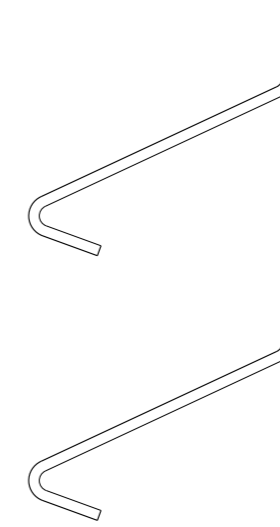
SR3701



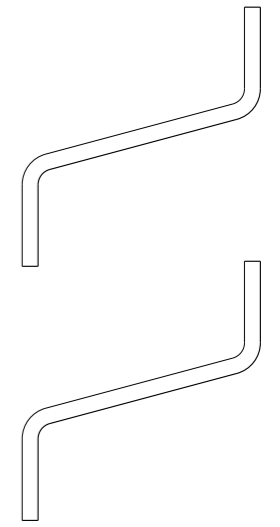
SR5102



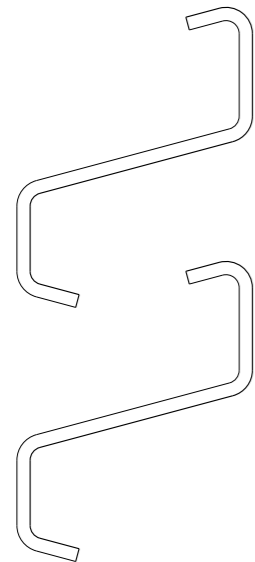
SR5404



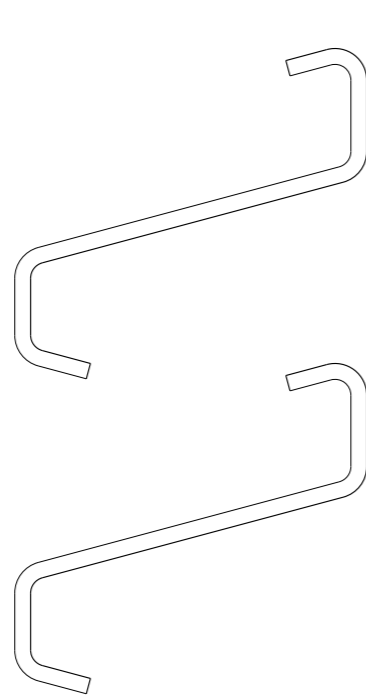
SR7001



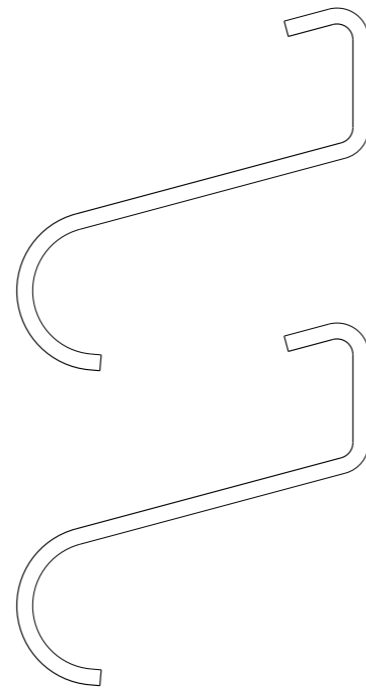
SR5600



SR4400


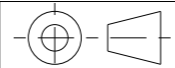


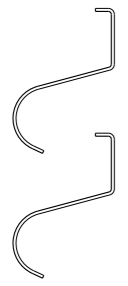
SR5500



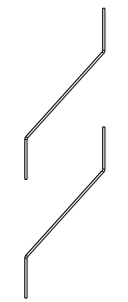
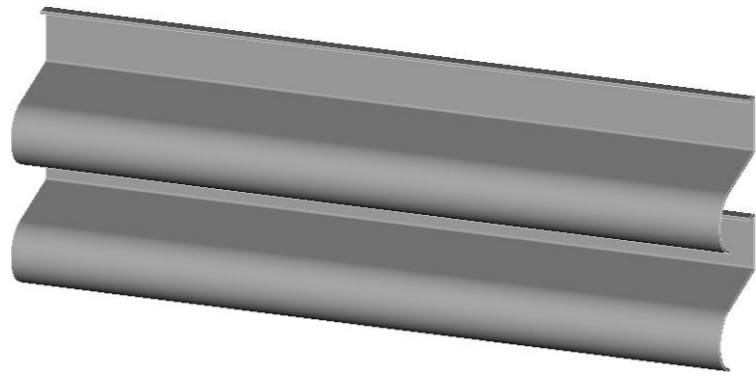
SR4702

© All rights reserved by FlowGrill B.V. No part of this product datasheet may be reproduced in any form, by print, photo print, microfilm, or any other means, without written permission from FlowGrill B.V. FlowGrill B.V. accepts no legal responsibility with relation to the content and/or form of this product datasheet.

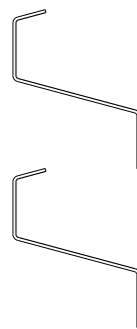
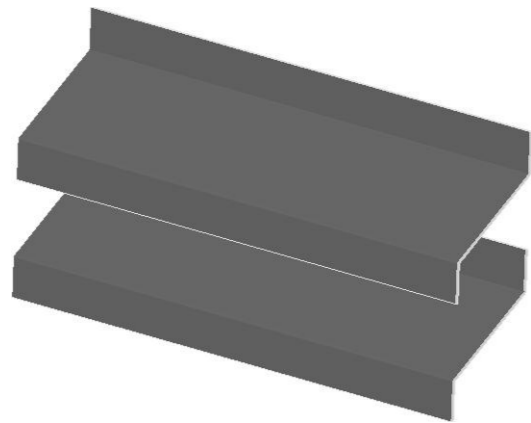
Description:		Material	
Different lovuier types		Article -	
 <b>FlowGrill</b> <small>DUTCH TECHNICAL SOLUTIONS</small> <a href="http://www.FlowGrill.com">www.FlowGrill.com</a>		OrderNo.	Status
	Size	A3	-
	Units	mm	Drawn
	Scale	1:1	Sheet
Production quality following FlowGrill internal documents		DrawingNo.	Version
		YB00400-YB10879	1
		Copyrights FlowGrill bv, all rights reserved	



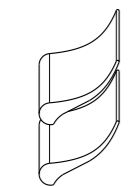
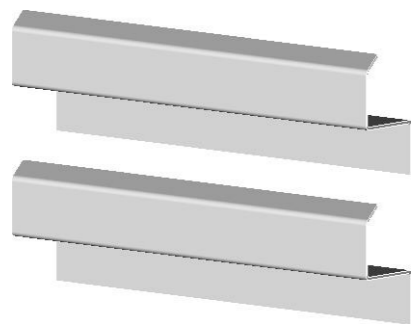
SR2601



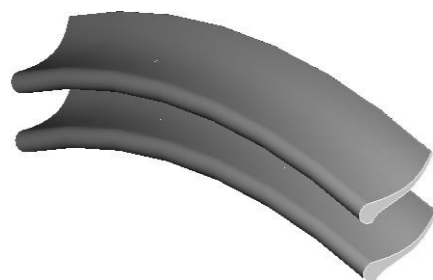
SR4201



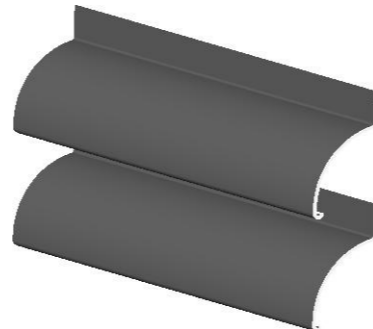
SR5103



YB11136



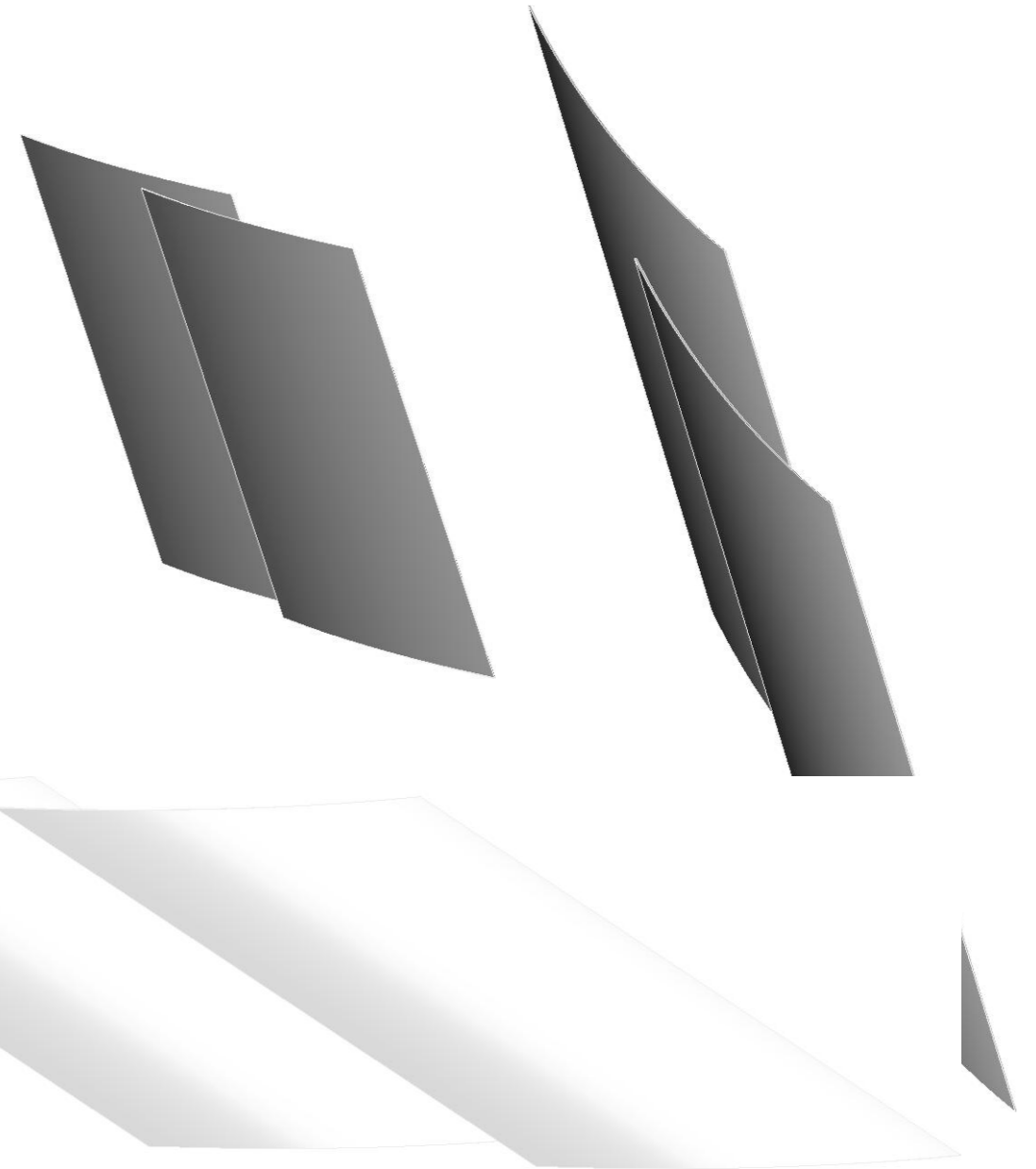
SR4001




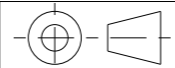
SR5104

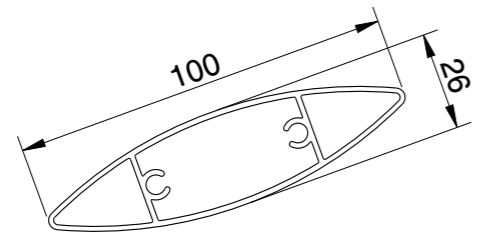


YB10879

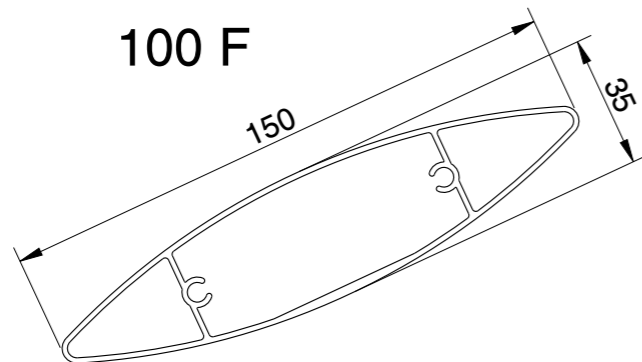


© All rights reserved by FlowGrill B.V. No part of this product datasheet may be reproduced in any form, by print, photo print, microfilm, or any other means, without written permission from FlowGrill B.V. FlowGrill B.V. accepts no legal responsibility with relation to the content and/or form of this product datasheet.

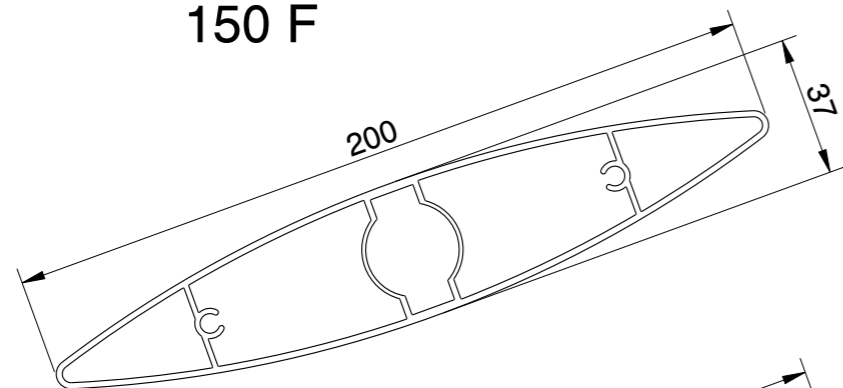
Description:		Material		
Different louver types		Article -		
 <b>FlowGrill</b> <small>DUTCH TECHNICAL SOLUTIONS</small> <a href="http://www.FlowGrill.com">www.FlowGrill.com</a>		OrderNo.	Status	
	Size	A3	-	W
	Units	mm	Date	04-10-2012
	Scale	1:20	Drawn	WG
Production quality following FlowGrill internal documents		DrawingNo. <b>YB00400</b> Version 2	Sheet 2 Version 2	
		Copyrights FlowGrill bv, all rights reserved		



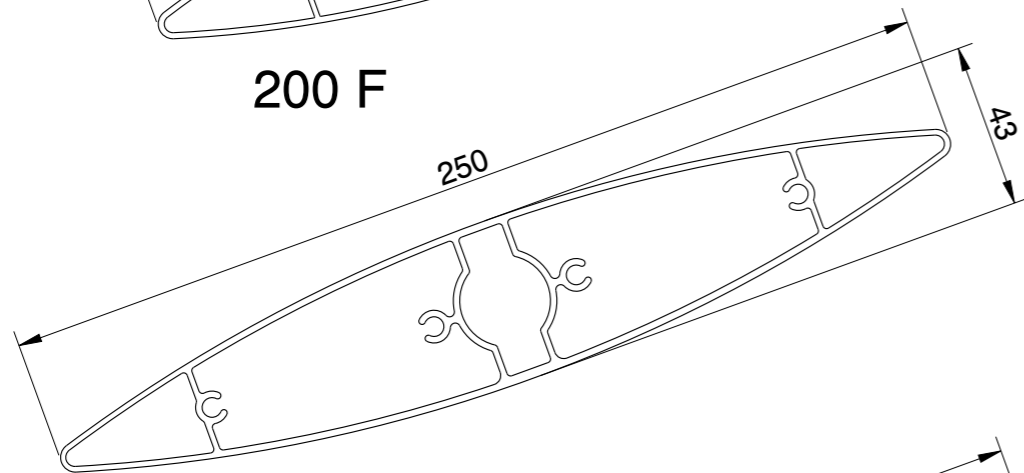
100 F



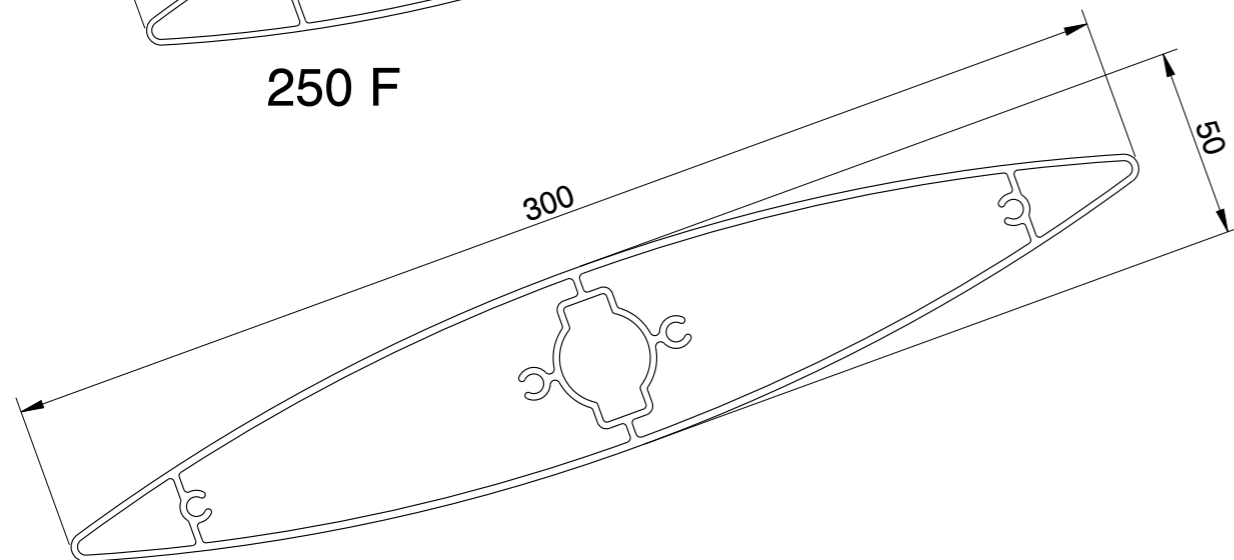
150 F



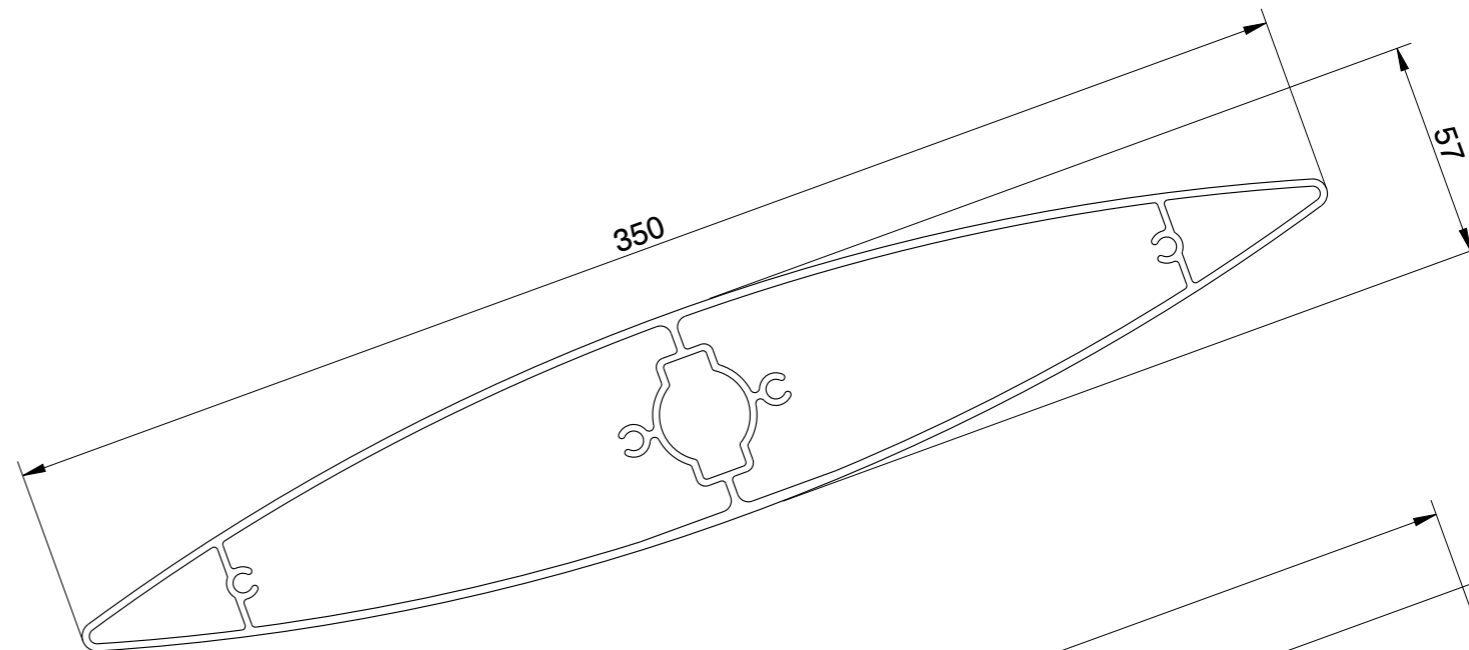
200 F



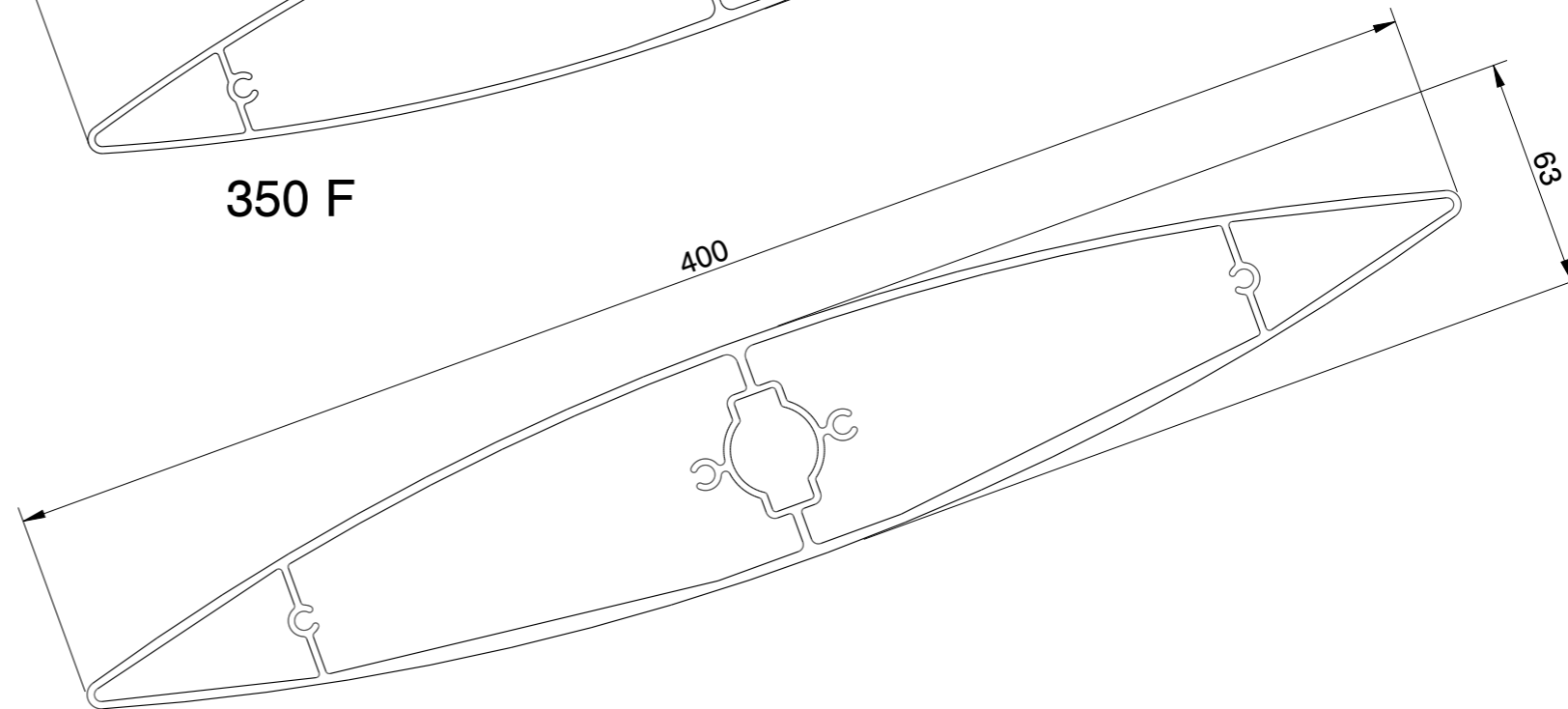
250 F



300 F





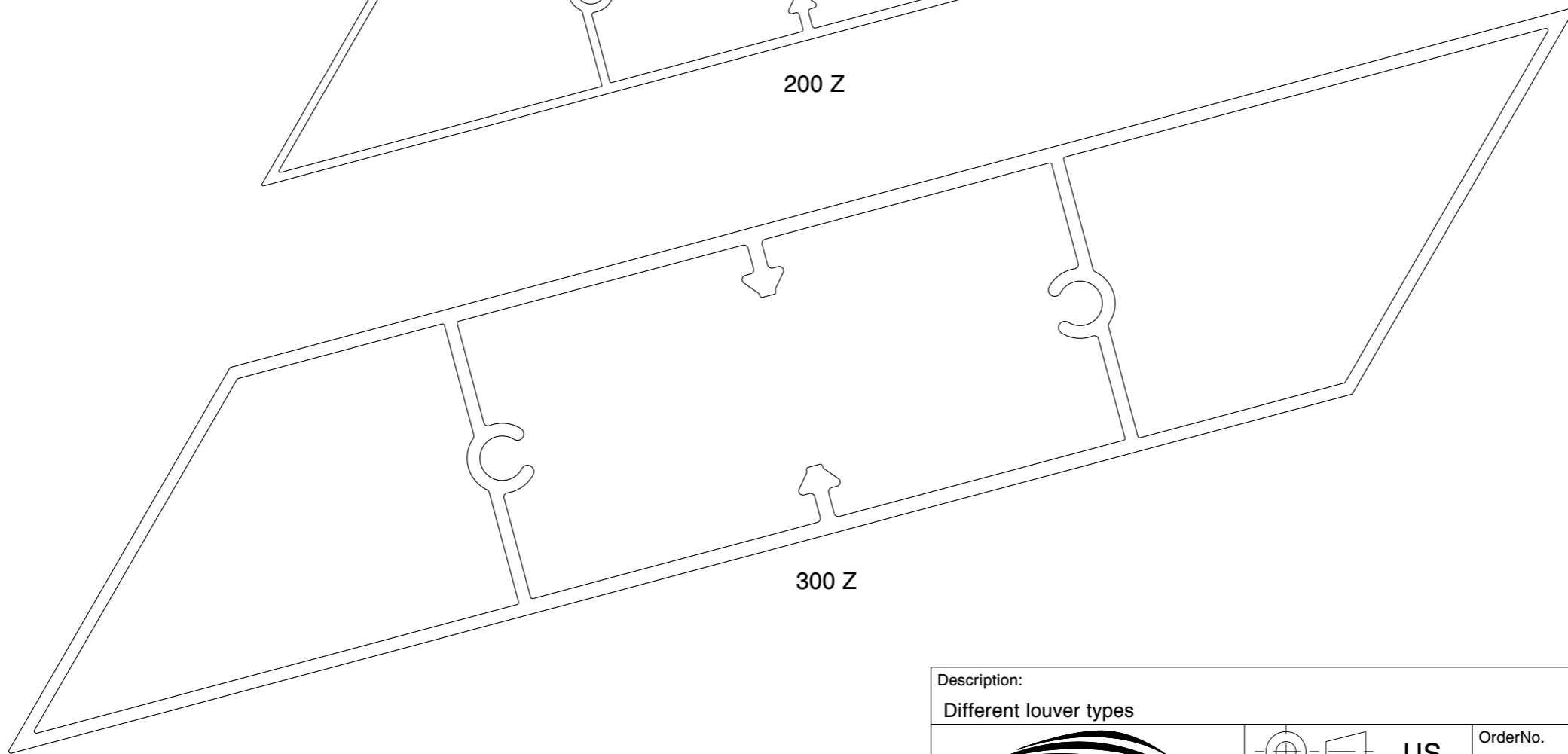
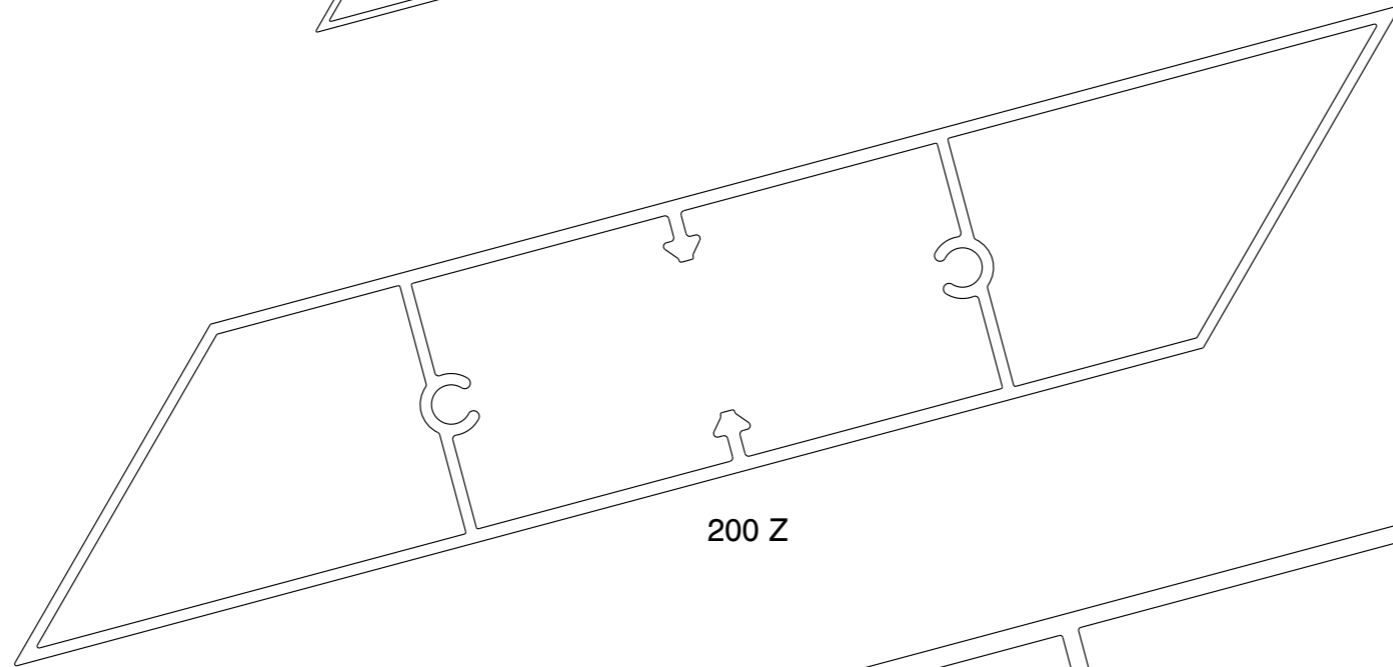
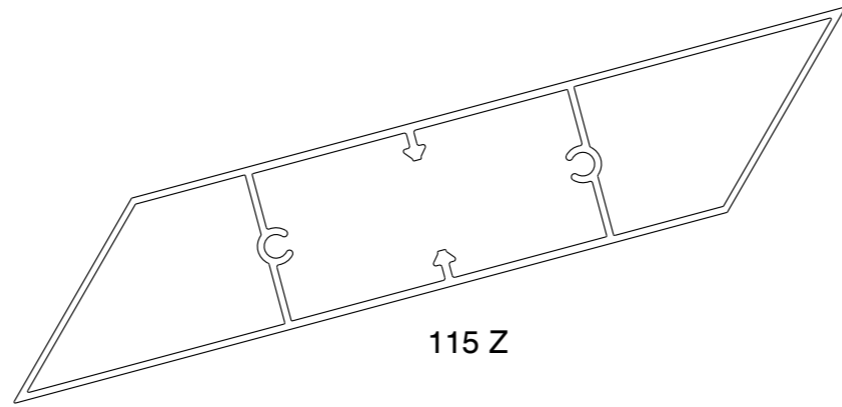
350 F





400 F

© All rights reserved by FlowGrill B.V. No part of this product datasheet may be reproduced in any form, by print, photo print, microfilm, or any other means, without written permission from FlowGrill B.V. FlowGrill B.V. accepts no legal responsibility with relation to the content and/or form of this product datasheet.

Description:		Material	
Different louvre types		Article -	
 <b>FlowGrill</b> <small>DUTCH TECHNICAL SOLUTIONS</small> <a href="http://www.FlowGrill.com">www.FlowGrill.com</a>	 US	OrderNo. -	Status R
	Size A3	Date -.-.-	Drawn -
	Units mm	DrawingNo. YB00400-YB10879	Sheet 3
	Scale 1:1		Version 1
Production quality following FlowGrill internal documents		Copyrights FlowGrill bv, all rights reserved	



Description:		Material		
Different louver types		Article -		
 www.FlowGrill.com	 <b>US</b>	OrderNo.	-	
	Size	A3	Date	04-10-2012
	Units	mm	DrawingNo.	YB00400
	Scale	3:5	Version	2
Production quality following FlowGrill internal documents		Status <b>W</b>		
		Drawn <b>WG</b>		
		Sheet <b>4</b>		
		Version <b>2</b>		
		Copyrights FlowGrill bv, all rights reserved		